

Primo, Duo, Trio, Quattro, Quattro Tandem



www.duerdental.com
Order number: 5152100003



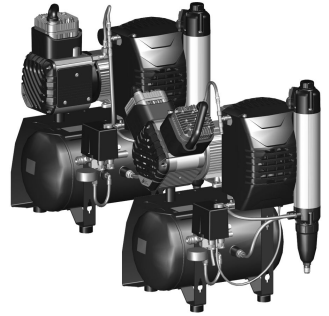
Ambient temperature



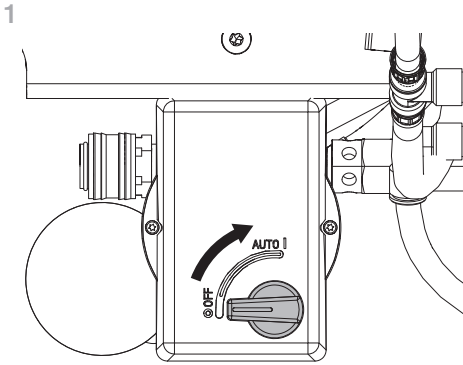
Upper limit of humidity



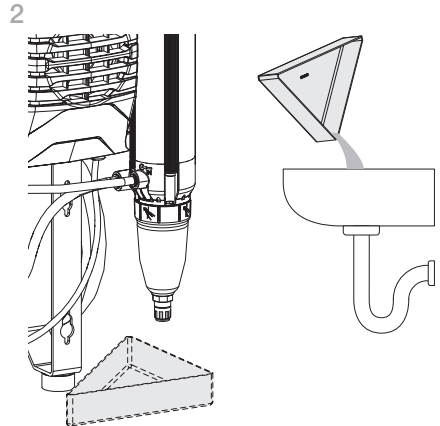
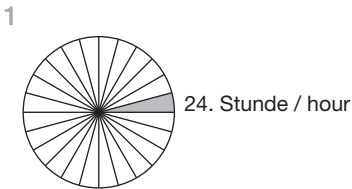
Only qualified specialists or employees trained by Dürr Dental are permitted to install, connect and start using the unit.



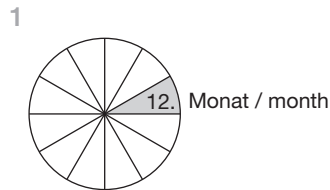
Switch on the unit.



Drain the collecting tray



Changing the filter



DÜRR DENTAL SE
Höpfigheimer Str. 17
74321 Bietigheim-Bissingen,
Germany

5152100004L40



2105V002

