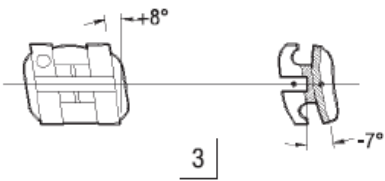
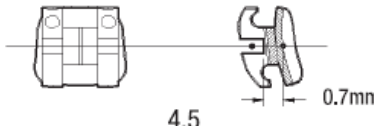
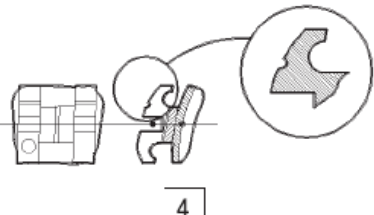
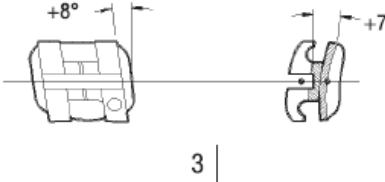
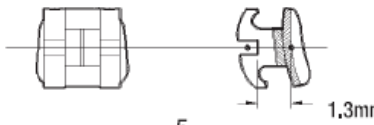
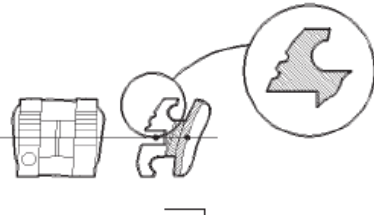


# Identification Information

<p><b>Labial Root Torque</b></p> 		
<p><b>Lingual Root Torque</b></p> 	<p><b>Thick Base</b></p> 	



**3M Unitek**  
**Orthodontic Products**  
 2724 South Peck Road  
 Monrovia, CA 91016 USA



**3M Deutschland GmbH**  
**Orthodontic Products**  
 Carl-Schurz-Str. 1  
 D-41453 Neuss, Germany  
 +49/(0)8191/ 9474-0

5	4	3	2	1	1	2	3	4	5
5	4	3	2	1	1	2	3	4	5

© 2004, 2010, 2012 3M. All rights reserved.  
 REF 011-587-3 1206